

# ION GUN



## Air Ionization Tool for the Prevention of ESD



The **Ion Gun** is part of Cambridge's "**Clean Suite**" family of products for eliminating yield losses in semiconductor fabrication process tools due to Electrostatic Discharge (ESD). The **Ion Gun** provides an extensive amount of benefits in a compact, easily integrated package.

### Features:

- EUV (Soft X-Ray) system provides high ionization levels with zero contaminant generation
- May be implemented for ESD prevention in a variety of applications, including semiconductor & LCD manufacturing
- Ozone-less clean air prevents surface oxidation
- Lower than background X-Ray level ( $1\mu$  Sv/h) EUV emission is leak free
- No emission of high frequency electromagnetic noise

*At Cambridge... The little things matter.*<sup>TM</sup>

# ION GUN

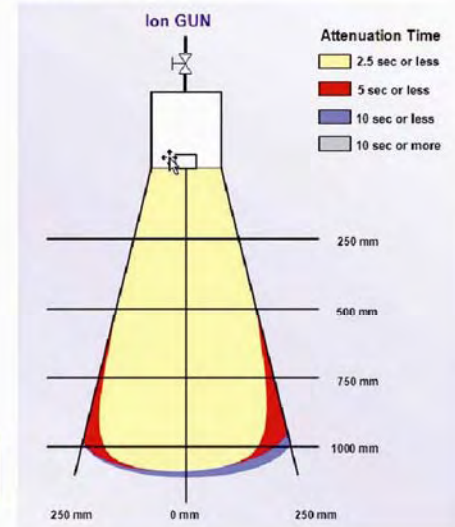


## Air Ionization Tool for the Prevention of ESD

### Standard Specifications

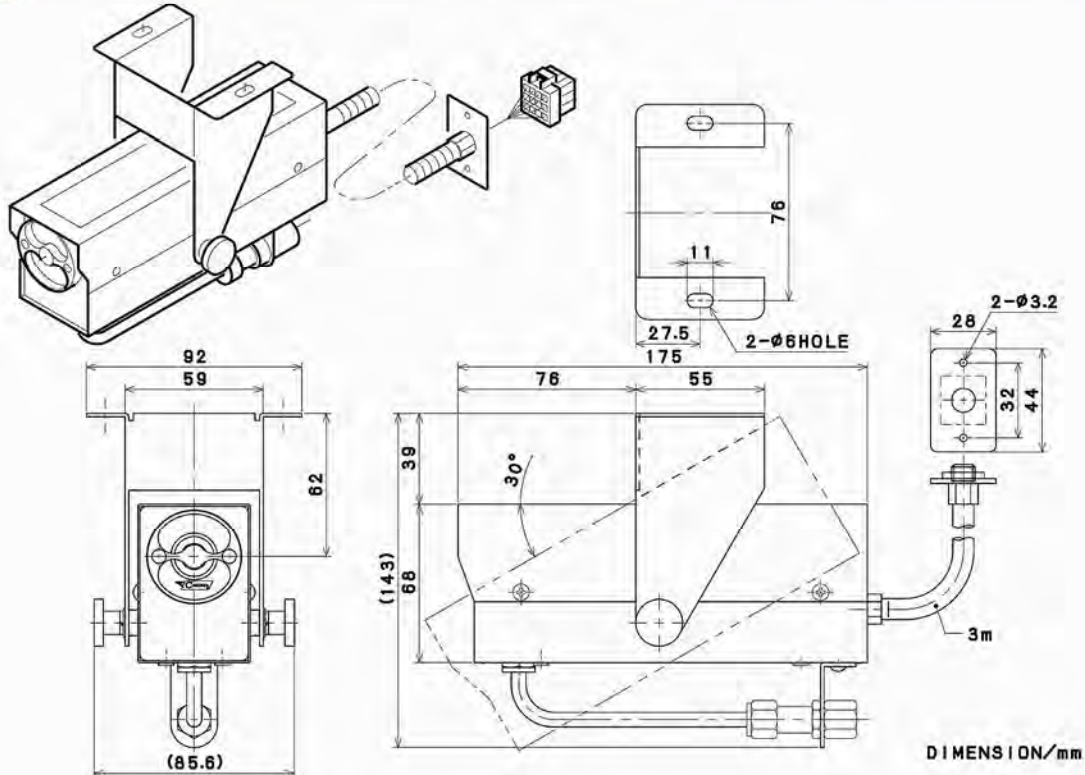
Item	Form	<i>Air Ion Gun</i>	<i>Air Ion Knife</i>
External Dimensions		59mm X 68mm X 175mm	83mm X 75mm X 402mm
Effective Mechanisms		EUV Emission + Clean Air Stream	EUV Emission + Clean Air Stream
EUV Tube Power		DC 9.5kV/150μA	DC 9.5kV/150μA
Power Supply		AC 100V 50/60Hz	AC 100V 50/60Hz
EUV Tube Life		8,000 Hours	8,000 Hours

### Operation



Improve your yield by eliminating losses caused from ESD!

### Schematic



CAMBRIDGE FILTER CORPORATION

T (480) 777-1818 WWW.CAMBRIDGEFILTERUSA.COM F (480) 777-7139