

- Chemical contaminant arrestance with particle arrestance capacity comparable to medium efficiency particle filters

ChemArrest Chemical Filter For Cycle Ventilation

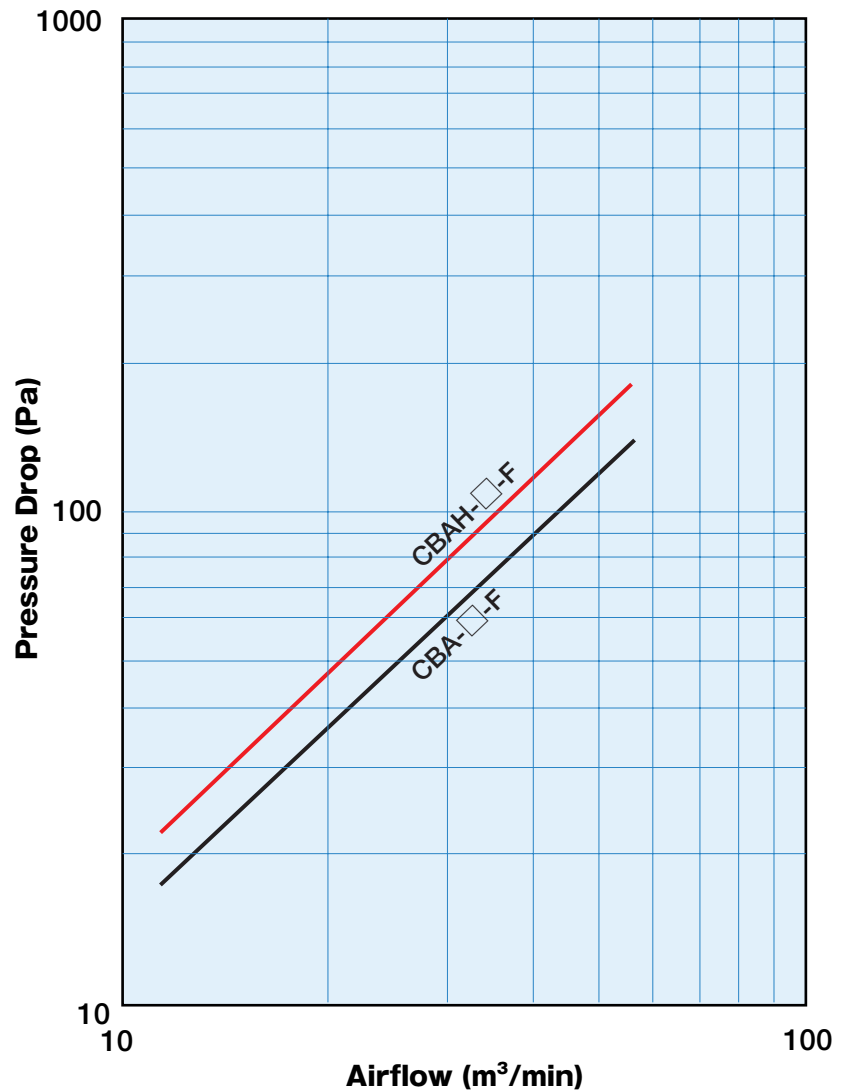
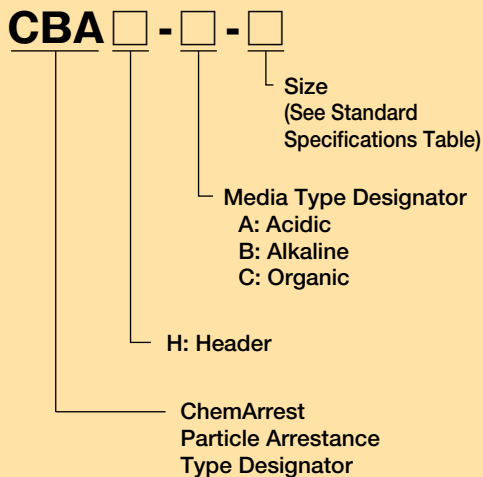
CHEMARREST

Model	CBA□-□-□
Type	Particle Arrestance Type
Test Method	JIS B 9908 Light Scattering Integration
Average Efficiency	90%+

Pressure Drop

Model	Rated Airflow Volume (m ³ /min)	Pressure Drop (Pa)
CBA-□-F	56	140
CBAH-□-F	56	180

Model Designators



Standard Specifications

Target Contaminants	Model	Rated Airflow Volume(m ³ /min)	Pressure Drop (Pa)	External Dimensions (mm)			Weight (kg)
				Height	Width	Depth	
Acidic	CBA-A-F	56	140	610	610	292	11.5
	CBA-A-H	26		305	610		6.5
	CBA-A-V	27		610	305		6.5
	CBA-A-Q	13		305	305		3.5
Alkaline	CBA-B-F	56	140	610	610	292	12.0
	CBA-B-H	26		305	610		7.0
	CBA-B-V	27		610	305		7.0
	CBA-B-Q	13		305	305		4.0
Organic	CBA-C-F	56	140	610	610	292	11.0
	CBA-C-H	26		305	610		6.5
	CBA-C-V	27		610	305		6.5
	CBA-C-Q	13		305	305		3.5

Header Type Specifications

Target Contaminants	Model	Rated Airflow Volume (m ³ /min)	Pressure Drop (Pa)	External Dimensions (mm)			Weight (kg)
				Height	Width	Depth	
Acidic	CBAH-A-F	56	180	592	592	292	12.0
	CBAH-A-H	23		287	592		7.0
	CBAH-A-V	25		592	287		7.0
	CBAH-A-Q	10		287	287		4.0
Alkaline	CBAH-B-F	56	180	592	592	292	12.5
	CBAH-B-H	23		287	592		7.0
	CBAH-B-V	25		592	287		7.0
	CBAH-B-Q	10		287	287		4.0
Organic	CBAH-C-F	56	180	592	592	292	11.5
	CBAH-C-H	23		287	592		6.5
	CBAH-C-V	25		592	287		6.5
	CBAH-C-Q	10		287	287		4.0

Component Materials

Model		CBA□-□-□
Component Materials	Media	Non-Woven Media + Granular Activated Carbon + Medium Efficiency Non-Woven Media
	Separator	Steel Wire + Galvanized Face Guard
	Frame	Galvanized Steel
	Frame Finish	—
	Sealant	Mechanical Seal By Media
	Gasket	Urethane (Upstream and Downstream Faces)