



Aero-Answer Pack Medium / High Efficiency Filter

AERO-ANSWER PACK

Model	4AAPL□-□□-□
Test Method	JIS B 9908 Light Scattering Integration
Average Efficiency	98%+ / 90-95%+ / 60-65%

- Easy filter replacement with re-usable frames
- Filters may be incinerated after use, allowing reduction in industrial waste
- 15 mm depth pre-filters may be supplemented
- Space-saving 150 mm depth holding frames
- May also be used to remove sea salt particles (90%+ Efficiency)

Model Designators

4AAPL □ - □ □ - □

Pre Filter Designator
No Designator: None
P: 150 mm Pre-Filter

Size Designator

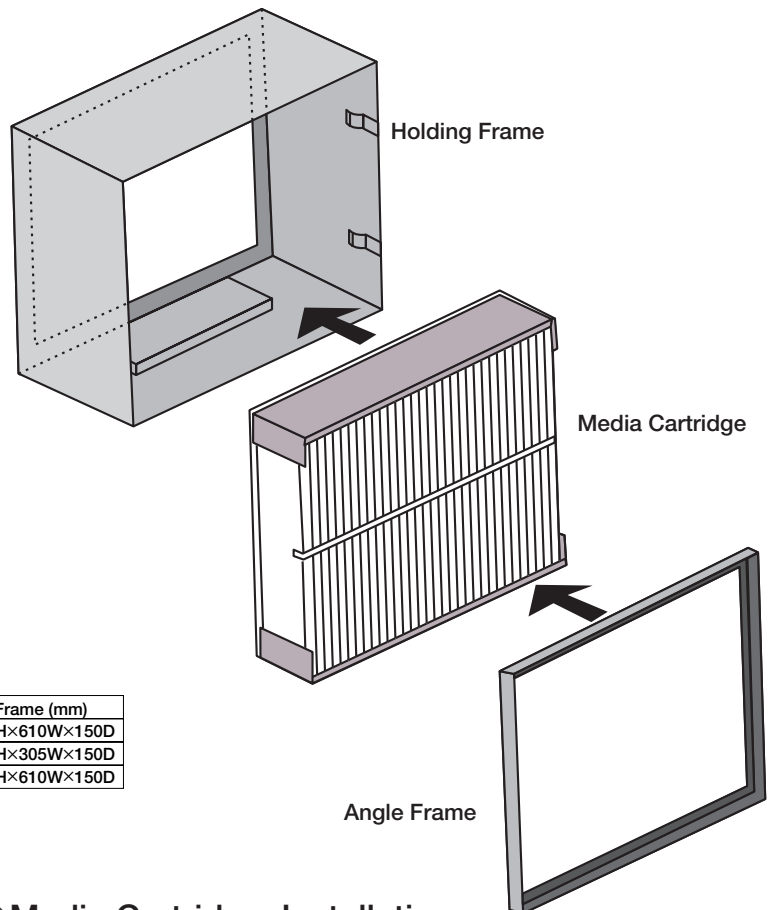
Symbol	Replacement Pack (mm)	Frame (mm)
F	595H×595W×115D	610H×610W×150D
V	595H×290W×115D	610H×305W×150D
H	290H×595W×115D	305H×610W×150D

Rated Airflow Volume
(See Standard Specifications Table)

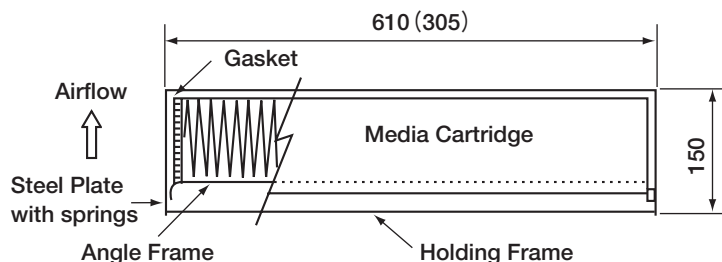
Efficiency
98: 98%+
9: 90-95%+
6: 60-65%

Aero-Answer Pack Designator
(Holding Frame + Media Cartridge + Angle Frame)
Media Cartridge only: AAPL□-□□
Holding Frame only: 4PL-□

Media Cartridge Replacement



Media Cartridge Installation



Standard Specifications

Model	Rated Airflow Volume (m ³ /min)	Pressure Drop (Pa)		External Dimensions (mm)			Average Efficiency (%)	Weight (kg)
		Initial Max	Final	Height	Width	Depth		
4AAPL6-70F	70	90	294	610	610	150	60-65	2.0
4AAPL6-56F	56	60		610	610			1.8
4AAPL6-26V	26			610	305			0.9
4AAPL6-26H	26			305	610			1.1
4AAPL9-70F	70	145	343	610	610	150	90-95	2.1
4AAPL9-56F	56	100		610	610			2.0
4AAPL9-26V	26			610	305			1.0
4AAPL9-26H	26			305	610			1.2
4AAPL98-70F	70	165	343	610	610	150	98+	2.1
4AAPL98-56F	56	120		610	610			2.0
4AAPL98-26V	26			610	305			1.0
4AAPL98-26H	26			305	610			1.2

Media Cartridges

Model	Frame (mm)		
	Height	Width	Depth
AAPL□-70F	595	595	115
AAPL□-56F	595	595	
AAPL□-26V	595	290	
AAPL□-26H	290	595	

Holding Frames

Model	Frame (mm)		
	Height	Width	Depth
4PL-F	610	610	150
4PL-V	610	305	
4PL-H	305	610	

Component Materials / Usage Specifications

Model		4AAPL
Component Materials	Media	Non-Woven Media
	Frame	Fire Resistant Paper
	Sealant	Hot Melt Resin
	Gasket	Urethane
	Holding Frame	Stainless Steel
Usage Specifications	Max. Continuous Operation Temperature (°C)	40
	Max. Peak Humidity (%RH at 0 Condensation)	98